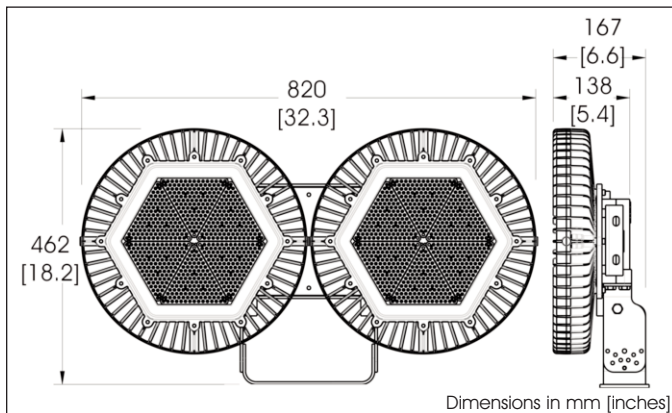




Patent Pending

Vigilant® LED Floodlight - CE



Certifications & Ratings

- CE
- EN 55015
- EN 61547
- EN 60598
- EN 62031
- EN 62471
- IP 66 to EN60529

Features & Benefits

- 10 year full performance warranty
- L70 rated for > 100,000 hours @ 25°C ambient
- Instant on/off operation
- Universal input (100-277V AC, 50/60Hz)
- Superior colour rendition index compared to HPS, LPS, MV
- Mercury free
- Resistant to shock and vibration
- Temperature compensation technology for longer life
- Safety tabs provided for secondary retention

Application:

The Vigilant® LED Floodlight represents the future of energy efficient facility illumination for industrial applications worldwide. The lighting fixture consumes at least 50% less energy than traditional HID light sources, while reducing maintenance and carbon emissions. This light incorporates both cutting edge LED technology along with proprietary optics to achieve flood lighting comparable with other traditional light sources.

Mechanical Information

Fixture Weight:	23 kg (56 lb)
Shipping Weight:	27 kg (60 lb)
Mounting:	Trunnion mounting bracket included
Entries:	(2) M20 cable entries

Electrical specifications

Operating Voltage:	100-277V AC, 50/60Hz
Power Consumption:	See table
Operating Temp:	-40°C to +65°C (-40°F to +149°F)

Noise Requirements/ EMC:

EN 55015 - conducted and radiated
 EN 61000-3-2
 EN 61000-4-3
 EN 61000-4-4
 EN 61000-4-6
 EN 61000-4-11

Surge Protection: Verified up to 6kV/2ohms at an independent test laboratory

THD: < 15% typical (< 20% maximum)

Power Factor: > 0.9

Construction

Housing:	Powder coated copper free alum.
Finish:	Polyester / epoxy powder coat gray RAL 7040 for superior corrosion resistance
Lens:	Tempered glass

Photometric Information

CRI:	75
CCT:	5,000K (cool white)
Beam Patterns:	Very Wide (115°) Medium Optics
IES Files:	Available upon request

All values typical unless otherwise stated
 All lumen values are typical (tolerance +/- 10%)



Vigilant® LED Floodlight

Order Codes




Part Number	Optical Pattern	Color	Initial Fixture Lumens	Wattage	Lumens Per Watt
100 - 277V AC Models*					
FLEB66MC2NG	Very wide (115°)	Cool White	52,000	424	123
FLEBM0MC2NG	Medium Optics	Cool White	52,000	424	123

Additional optical patterns coming soon. Please consult factory for details.

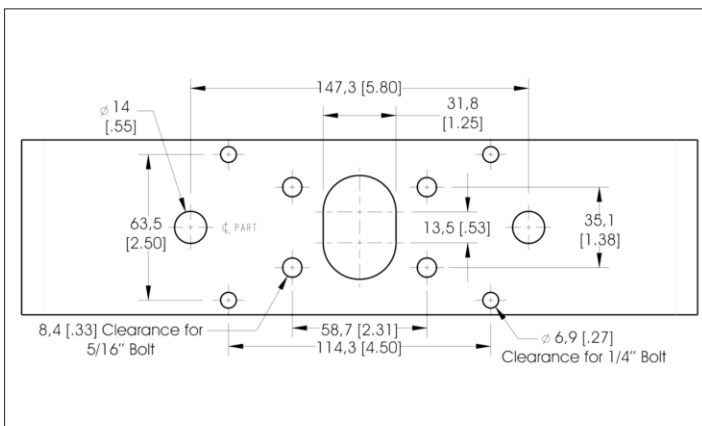
Mounting Options

	Part Number	Description	Kit Includes
Safety Cable Kit			
	HZXCBL2	Safety cable Kit	2 Safety cables
Tenon adapter (Bronze)			
	FLX-1TPT-20DB	Tenon pole topper, 2-3/8" mount	Tenon topper, pole set screws, and mounting hardware

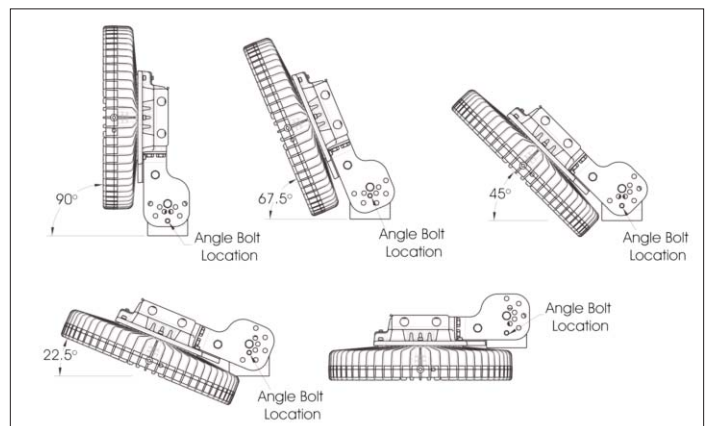
Bracket and Adapters below require Tenon adapter (FLX-1TPT-20DB) to mount floodlight. Tenon adapter is sold separately.

	Part Number	Description	Kit Includes
Right Angle Bracket (Bronze)			
	FLX-1RAB-20DB	Right Angle mounting bracket for 2-3/8" light mount	Right Angle Bracket
Round Tenon adapter (Bronze)			
	FLX-3RPA-20DB	Reducer for 3" OD round pole top to 2-3/8" light mount	Reducer Pole set screws
	FLX-4RPA-20DB	Reducer for 4" OD round pole top to 2-3/8" light mount	Reducer Pole set screws
Square Tenon adapter (Bronze)			
	FLX-4SPA-20DB	Internal tenon adapter for 4" square pole top to 2-3/8" light mount	Adapter
	FLX-5SPA-20DB	Internal tenon adapter for 5" square pole top to 2-3/8" light mount	Adapter
	FLX-6SPA-20DB	Internal tenon adapter for 6" square pole top to 2-3/8" light mount	Adapter

Factory Installed Mounting Bracket Dimensions



Mounting Options



Dialight reserves the right to make changes at any time in order to supply the best product possible. The most current version of this document will always be available at: www.dialight.com/Assets/Brochures_And_Catalogs/Illumination/MDTEXVLEUX001.pdf. Warranty Statement: EXCEPT FOR THE WARRANTY EXPRESSLY PROVIDED FOR [HEREIN/ABOVE/BELOW], DIALIGHT DISCLAIMS ANY AND ALL OTHER WARRANTIES, EXPRESS OR IMPLIED, INCLUDING, WITHOUT LIMITATION, ANY WARRANTIES OF MERCHANTABILITY, FITNESS FOR A PARTICULAR PURPOSE, TITLE, AND NONINFRINGEMENT.